

GENERAL PURPOSE CAST IRON GATE VALVES

NON RISING STEM

FEATURES

- Inside Screw Non Rising Spindle
- Flanged AS 2129 Table E
- Bronze Trim
- Stainless Steel Spindle
- Designed and Manufactured to BS 5150

TECHNICAL DATA

- Code: F-GVNRS-Dor(Size DN)
- Size Range: DN50 – DN300
- Max. Working Pressure: 1400 kPa

DIMENSIONS

DN	50	65	80	100	125	150	200	250	300
L	178	191	203	229	229	267	292	330	356
H	476	508	567	683	777	840	1018	1227	1354
Wt (kg)	12	15	18	30	44	60	95	130	195

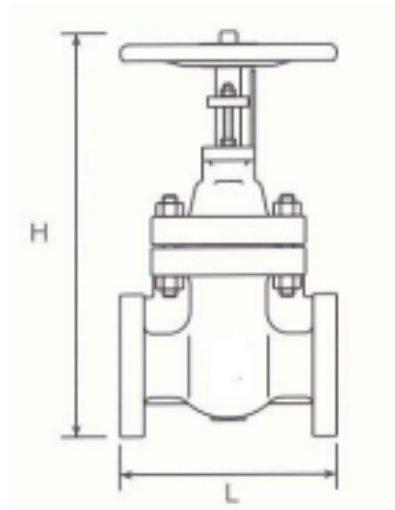
MATERIALS

Part Name	Material
Body/ Bonnet	Cast Iron
Wedge	Cast Iron
Stem	Stainless Steel 410
Seat Ring	Bronze
Gland Packing	Graphite

NON-RISING STEM

FEATURES

- Outside Screw and Yoke
- Flanged AS2129 Table E
- Bronze Trim
- Stainless Steel Spindle
- Designed and Manufactured to BS5150

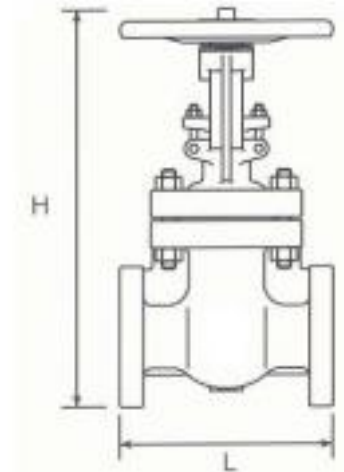


TECHNICAL DATA

- Code: F-GVOSY-E(Size DN)
- Size Range: DN50-DN300
- Max. Working Pressure: 1400kPa

DIMENSIONS

DN	L	H	Weight (kg)
50	178	476	15
65	191	508	20
80	203	567	25
100	229	683	45
125	254	777	62
150	267	840	80
200	292	1018	132
250	330	1227	195
300	356	1354	280



MATERIALS

Part Name	Material
Body/ Bonnet	Cast Iron
Wedge	Cast Iron
Stem	Stainless Steel 410
Seat Ring	Bronze
Gland Packing	Graphite