

VERTICAL MULTI STAGE JACKING PUMP

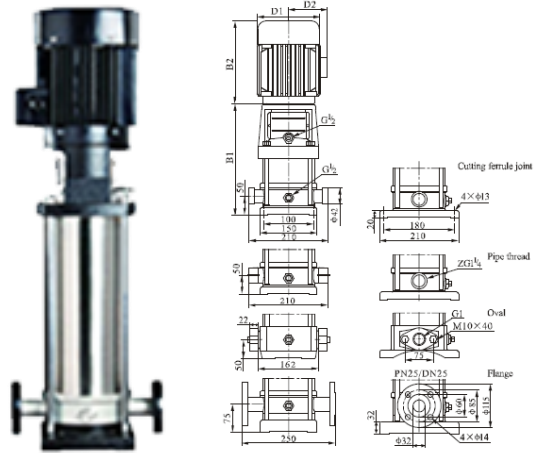
FEATURES

- Municipal water supply and pressure boosting
- Cooling water systems
- Fire fighting
- Washing plants and washdown
- Process water systems

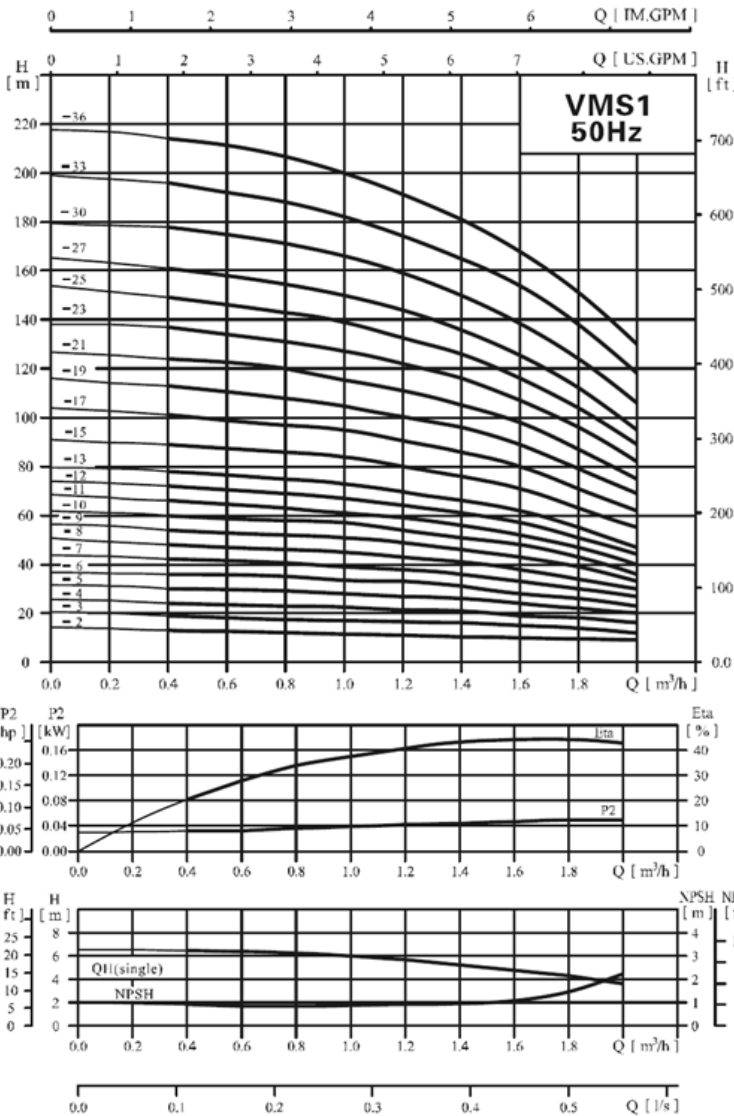
TECHNICAL

- Code: FFS-JPVMSI-(size)
- Size Range: 100, 150, 210, 270

PERFORMANCE



Model # **VMS1**



Performance table

Model	Driving motor		Q (m ³ /h)	H (m)								
	(kw)	(hp)		0.4	0.6	0.8	1.0	1.2	1.4	1.6	1.8	2.0
VMS1-100	0.55	0.75	60	59	58	57	54	51	48	43	36	
VMS1-110	0.55	0.75	66	65	63	61	59	56	52	47	40	
VMS1-120	0.75	1	72	71	69	67	64	61	57	51	44	
VMS1-130	0.75	1	78	77	75	73	69	66	62	55	47	
VMS1-150	0.75	1	89	88	86	84	79	76	71	63	55	
VMS1-170	1.1	1.5	101	99	97	95	89	86	80	71	62	
VMS1-190	1.1	1.5	113	110	108	106	99	96	89	79	69	
VMS1-210	1.1	1.5	124	122	120	117	110	106	98	87	75	
VMS1-230	1.1	1.5	137	133	131	128	121	116	107	96	82	
VMS1-250	1.5	2	149	145	143	139	131	126	116	104	89	
VMS1-270	1.5	2	161	157	155	150	141	136	125	112	95	

Size and weight

Model	Size(mm)					Weight (kg)
	B1	B2	B1+B2	D1	D2	
VMS1-100	402	210	612	148	117	26
VMS1-110	420	210	630	148	117	26
VMS1-120	448	245	693	170	142	29
VMS1-130	466	245	711	170	142	30
VMS1-150	502	245	747	170	142	31
VMS1-170	538	245	783	170	142	33
VMS1-190	574	245	819	170	142	34
VMS1-210	610	245	855	170	142	35
VMS1-230	646	245	891	170	142	36
VMS1-250	692	290	982	190	155	42
VMS1-270	728	290	1018	190	155	43