

ROLL GROOVED x FLANGED ADAPTORS - GALVANISED

FEATURES

- Flange adaptors – multi size
- Will fit most flange PCD's
- Hot dipped galvanised finish



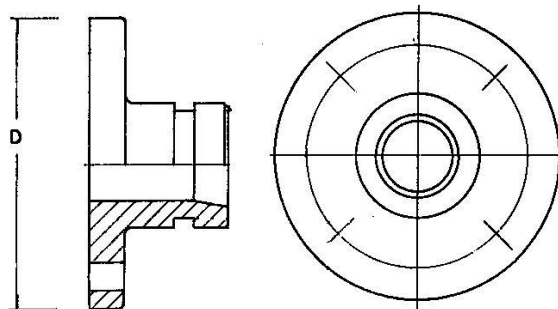
TECHNICAL DATA

- Code: FWG-FA-(size OD)TABLE
- Size Range: DN50 – 300
- Max Working Pressure: 300psi
- Suit Flanges: AS2129 Table D, E (plus others)

DIMENSIONS

Product Code	DN	Table	Overall Ln (mm)	Approx Wt (Kg)
FWG-FA-60DE	50	D/E	60	1.7
FWG-FA-76DIN	65	DIN16	60	1.7
FWG-FA-76DE	65	D/E	60	1.7
FWG-FA-88DIN	80	DIN16	60	2.0
FWG-FA-88DE	80	D/E	60	2.0
FWG-FA-114D	100 D	D	60	2.5
FWG-FA-114E	100 E	E	60	2.5
FWG-FA-141E	125E	E	60	2.5
FWG-FA-165E	150 (165 OD)	E	65	5
FWG-FA-168E	150 (168OD)	E	65	5
FWG-FA-219E	200	E	85	10
FWG-FA-273E	250	E	125	15
FWG-FA-323E	300	E	125	22

Note: Our universal roll grooved x flanged adaptors will fit many flange PCDs such as Table F/ H, ANSI125/150, BS4504 DIN PN16, & AS4087 PN 16. Please contact Refire when selecting your flanged adaptor. Please have PCD ready.



WE ALSO STOCK THREADED BSP x ROLL GROOVED ADAPTORS