

# FLO HIGH PRESSURE 363PSI GROOVED END BUTTERFLY VALVE

## FEATURES

- Approved gear operator for both indoor or outdoor use
- Epoxy coated ductile iron body
- Elastomer encapsulated disc with outstanding flow characteristics
- Two BSPT threaded tapping bosses on the up and downstream sides of the disc for connection on valve trim  
Tapping bosses size: DN50–DN80 valve = 10mm & DN100-250 valve = 15mm
- **UL Listed**
- **FM Approved**

## OPTIONS

- Double Internal Supervisory Switches

## TECHNICAL DATA

- Code: VGBFHPC-(size)-GEAR-T
- Size Range: DN50 – 250
- Working Pressure: 363 psi

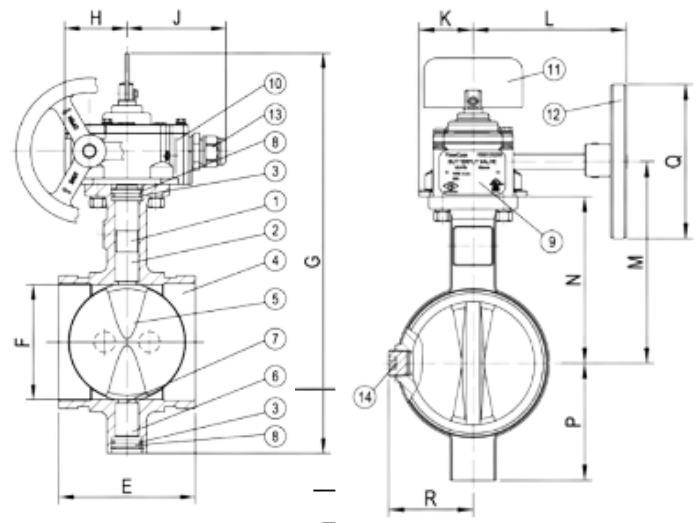
## MATERIAL LIST

No.	Part	Material
1	Upper Stem	Stainless Steel ASTM 276 Type 420
2	Upper Bearing	PTFE Bronze Sintered on Steel
3	O-Ring	EPDM
4	Body	Ductile Iron ASTM A 395 Epoxy Coated
5	Disc	Ductile Iron ASTM A 395 EPDM Encapsulation
6	Lower Bearing	PTFE Bronze Sintered on Steel
7	Lower Stem	Stainless Steel ASTM A276 Type 420
8	Seat Gland	Carbon Steel (Zinc-Plated)
9	Name Plate	Stainless Steel
10	Gear Operator	Cast Iron and Steel
11	Indicator Flag	Steel
12	Handwheel	Cast Iron
13	Cable Gland	Nylon
14	Plug	Carbon Steel (Zinc Plated)



FLOWCOM

MODEL #VBG13121H



## DIMENSIONS

Size	OD (mm)	E (mm)	F (mm)	G (mm)	H (mm)	J (mm)	K (mm)	L (mm)	M (mm)	N (mm)	P (mm)	Q (mm)	R (mm)	Wt. (kg)
50	60.3	98	51	250	53	85	44	125	108	80	58.0	108	40.0	4.5
65	76.1	98	61	276	53	85	44	125	125	96	68	108	45	4.6
80	88.9	98	73	291	53	85	44	125	134	105	73.5	108	51.5	4.7
100	114.3	116	98	342	53	85	44	125	164	135	95.0	125	63.0	6.8
150	165.1	149	146	402	76	92	47	168	199	165	122.0	150	91.0	14.7
200	219.1	134	196	466	76	92	47	168	238	204	147.0	150	118.0	18.8
250	273.0	160	243	549	95	100	66	240	284	245	181.0	250	144.0	35.4

PERFORMANCE DATA

Formulas for CV Values

$$\Delta P = \frac{Q^2}{C_v^2}$$

Where: Q = Flow rate (gallons per minute:GPM)

$\Delta P$  = Pressure drop across VALVE (PSI)  $C_v$  = Flow coefficient

$$Q = C_v \times \sqrt{\Delta P}$$

Nominal Size mm	Pipe O.D. mm	CV Full Open
50	60.3	155
65	76.1	221
80	88.9	324
100	114.3	670
150	165.1	1934
200	219.1	3874
250	273.0	5995

